
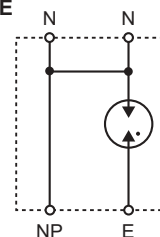


- **Category IEC / EN / VDE:** **Class I / Type 1 / B+C**
- **Purpose:** the **RPBC-N-PE** series of overvoltage surge protective devices has been developed to protect against partial direct and indirect lightning discharges and is intended to provide protection in zones **0_A-1** as per PN-EN (IEC) 62305. It consists of an encapsulated air gap device (GDT), and is used as a galvanic separation between the N-PE conductors in a (1+1) or (3+1) power distribution system (TT networks). **RPBC-N-PE** are available only in set of arresters: **RPBC-25/280/1N.**, **RPBC-50/280/3N.**, **RPBC-30/280/1N.**, **RPBC-60/280/3N.**
- **Application site:** the arresters are mounted in the main-distribution boards (MB)
- **Mounting:** direct mounting on 35 mm DIN rail mount, EN 50022
- **Remote signalisation:** **RPC-N-PE** - without RC damage contact
- **Housing:** compact design
- **Compliance with standard:** PN-IEC 61643-1
- **Recognitions, certifications:** 



 **NEW product**

RPBC-N-PE



Type of arrester	RPC-N-PE	
Technical data		
Max. continuous operating voltage	U_c	255 V AC
Nominal discharge current (8/20)	I_n	50 kA
Max. discharge current (8/20)	I_{max}	100 kA
Current peak value (10/350)	I_{imp}	50 kA
Specific energy		625 MJ/Ω
Charge Q		25 As
Protection level	U_p	
• at I_n (8/20)		
• at (1,2/50)		1,2 kV
Follow current	I_f	> 100 Arms
Response time	t_A	< 100 ns
Residual current at U_c	I_{PE}	–
Thermal protection		–
Back-up fuse		–
Short-circuit withstand		–
Temperature range		-40...+80 °C
Cross-section of connection wire		solid: 35 mm ² stranded: 25 mm ²
Terminal screw torque		max. 4,5 Nm
Housing protection category		IP 20
Housing material		thermoplastic, extinguishing degree UL 94 V-0
Dimensions		90 x 36 x 70 mm (DIN 43880: 2TE)
Packaging dimensions		108 x 47 x 76 mm
Weight		235 g

